

Internally Reinforced Load Distribution Member



Eliminate Headers above Window and Door Openings

- Increases the Energy Envelope's efficiency by replacing the CFS Header with Insulation, which has four times the resistance to heat flow. (LEED awards credits for framing efficiencies such as this)
- Resolves Framing Challenges caused by Specified Headers such as:
 - Different Depths Specified for Various Openings
 - Special Order, Multi- Ply, Heavier Gauges Typically Needed to Carry Loads

Eliminates the Requirement for In-Line Framing

- Typical Steel Framing Requires the Studs, Joists, and Trusses to be - In-Line for the Height of the Building. This requirement adds additional materials and time to a project.

Speeds Framing of Walls

- All Cripples are the same length
- Eliminates the need for Multiple Jack Studs
- Eliminates the Material and the need to build and install the Specified Headers
- Eliminates two pieces of track the width of each opening

Speeds Framing of the Floors

- Use a Clip or Hanger for Attachment versus Track and Stiffeners
- Easier Fastening
- Less Splices since Rim Beam can be Fabricated up to 40' in length.
- Eliminates the Need for Rim Track
- Joists are not required to sit over studs



Environmental Data

Metwood used recycled steel products from Nucor, America's largest recycler, and is 100% recyclable.

RIMBEAM™

Internally Reinforced
Load Distribution Member

by METWOOD



INTEGRATED
STRUCTURAL
SOLUTIONS

Direct Phone: 6047150404

Office Phone: 6049291239

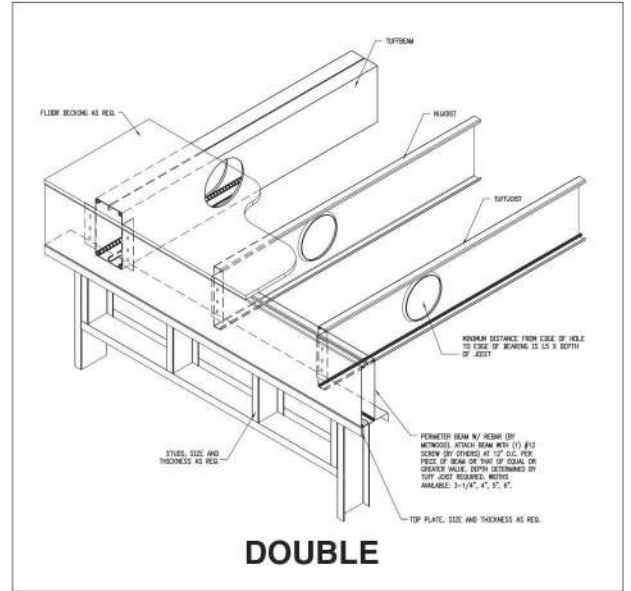
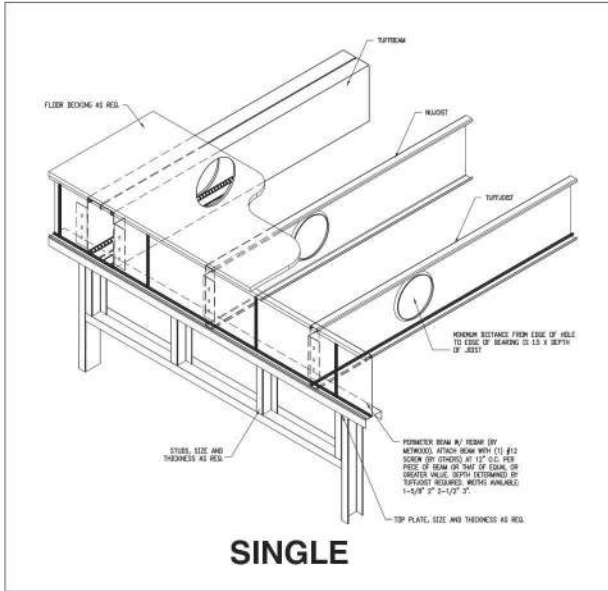
Email: info@integratedstructural.com


www.integratedstructural.ca

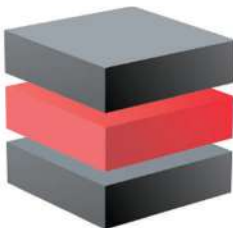
RIMBEAM™

by METWOOD

RIMBEAM™



 **Environmental Data**
Metwood used recycled steel products from Nucor, America's largest recycler, and is 100% recyclable.



**INTEGRATED
STRUCTURAL
SOLUTIONS**

Direct Phone: 6047150404
Office Phone: 6049291239
Email: info@integratedstructural.com
www.integratedstructural.ca