

The Complete Floor System



TUFFBEAM™, NUJOIST™, and TUFFJOIST™ make up the TNT Floor Systems™, offering the design flexibility to achieve conventional or radical floor designs. Pre-punched reinforced access holes allow plumbing, HVAC, electrical, and other technology services to be installed within the floor system to improve ease of installation while maintaining structural integrity.

Joists can free span or utilize TUFFBEAM™ to eliminate vertical supports. Use TNT Ledger and Hanger System on ICF projects to reduce project cycle time.

- Design Flexibility
- Non-combustible
- Commercial and Residential
- Green Building Products
- Hangers and Ledger System
- Support Plywood, Concrete, or Other



Environmental Data

Metwood used recycled steel products from Nucor, America's largest recycler, and is 100% recyclable.

TNT FLOOR SYSTEMS™

The Complete Floor System

by METWOOD



INTEGRATED
STRUCTURAL
SOLUTIONS

Direct Phone: 6047150404

Office Phone: 6049291239

Email: info@integratedstructural.com

www.integratedstructural.ca

TNT FLOOR SYSTEMS

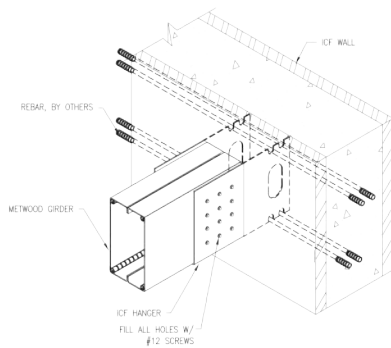
The Complete Floor System

by METWOOD

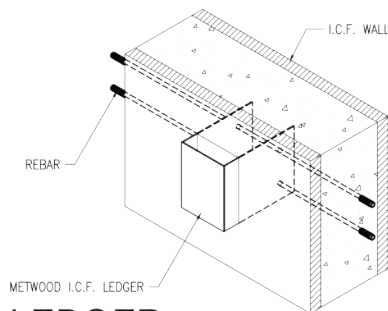
TNT - The Complete Floor System

Flooring Deck Options

- Metal
- Particle Board
- Plywood
- CBPB (Concrete Bonded Particle Board)
- EPS Panels
- SIPS (Structurally Insulated Panels)
- and more...



ICF HANGER



ICF LEDGER

Applications

- Garages
- Mezzanines
- Living Space
- Roof Systems

Complete Solutions for Garages

Simple Four Step Installation Process

1. Prepare Beam Pockets and Supports based on design
2. Install TUFFBEAM'S™
3. Install Decking, Rebar, and In-floor Heating tube (as necessary)
4. Install Concrete Forms, Pour Concrete



Environmental Data

Metwood used recycled steel products from Nucor, America's largest recycler, and is 100% recyclable.

TNT™

FLOOR SYSTEMS



INTEGRATED STRUCTURAL SOLUTIONS

Direct Phone: 6047150404

Office Phone: 6049291239

Email: info@integratedstructural.com

www.integratedstructural.ca